



DTEXX[®]
DTEXXCCTV.COM

Box Camera

DX3011

1/3" Sony Super HAD High-Resolution Color CCD
480TVL , 0.1 Lux , F1.2 , BLC , FLK , Auto/Manual Iris Selectable , C/CS Mount Lens Available

DX3021

1/3" Sony Super HAD High-Resolution Color CCD
550TVL , 0.4 Lux , F1.2 , BLC , FLK , Auto/Manual Iris Selectable , C/CS Mount Lens Available

DX3031WDR

1/3" Sony Super HAD High-Resolution Color CCD , WDR , DNR , OSD , True Day&Night
600TVL , 0.4/0.001 Lux (Sens: x256) , Auto/Manual Iris Selectable , C/CS Mount Lens Available





DX3011

1/3" Sony Super HAD High-Resolution Color CCD
480TVL, 0.1 Lux, F1.2, BLC, FLK, Auto/Manual Iris Selectable, C/CS Mount Lens Available

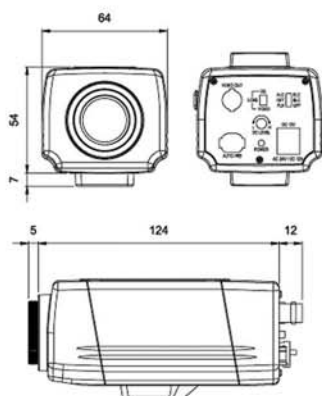
DX3021

1/3" Sony Super HAD High-Resolution Color CCD
550TVL, 0.4 Lux, F1.2, BLC, FLK, Auto/Manual Iris Selectable, C/CS Mount Lens Available

DX3031WDR

1/3" Sony Super HAD High-Resolution Color CCD, WDR, DNR, OSD, True Day&Night
600TVL, 0.4/0.001 Lux (Sens: x256), Auto/Manual Iris Selectable, C/CS Mount Lens Available

Features



1/3" Sony Super HAD High-resolution Color CCD
Min. Illumination: 0.4Lux / 0.001Lux (Sens x256)
Built-in DNR(Digital Noise Reduction, 2D+3D) Function
Built-in Sens-up, D-Zoom, OSD Function (WDR)
Built-in Dip Switch: ELC/ALC, BLC, FLK (550,480TVL)
Auto/ Manual Iris lens selectable
Power: AC24V/DCV or DC 12V

Specifications

ITEM	DX3011	DX3021	DX3031 WDR
Image Sensor	1/3" Interline Transfer Type Color CCD	1/3" Interline Transfer Type Color CCD	1/3" Interline Transfer Type Color CCD
Effective Pixels	PAL :752H x 582V	PAL: 976H x 582V	
Scanning System	PAL: 625Lines 2:1 Interlace		
Scanning Frequency	PAL: 15.625KHz(H), 50Hz(V)		
Shutter Speed	PAL: 1/50~1/100,000 sec		
Resolution	480TVL(Color)	550TVL (Color)	600TVL (Color)
Sens Up	-	-	x2 ~ x256
S/N Ratio	More than 48dB (AGC Off)	More than 48dB (AGC Off)	More than 48dB (AGC Off)
Sync. System	Internal	Internal	Internal
White Balance	ATW		
D-Zoom	-	-	Built-in
OSD	Option		
DNR	Option		
WDR	Option		
ATR	Option		
Day&Night Functionality	AUTO (photocell)	AUTO (photocell)	ICR type on AUTO (photocell)
Min. Illumination	0.1 Lux @ F1.2	0.3 Lux @ F1.2	Color: 0.4Lux/0.001Lux(Sens x256) B/W: 0.04Lux/0.0001Lux(Sens x256) @1.2,50IRE
Lens	Std. f= 4mm F2.0 Fixed Lens	Std. f= 2.9mm F2.0 Fixed Lens	f=2.8~11mm Vari-focal, DC Auto Iris F1.2 Day & Night Lens
Video Output	VBS 1.0Vp-p (75 Load)		
Power Supply(*)	AC24V/DC12V+10%, DC12V + 10%		
Power Consumption	Max.:250mA/DC 12V	Max.:270mA/DC 12V	Max.:280mA/DC 12V
Operating Temp.	-10`C~50`C		
Operational Humidity	Max.90% RH		
Dimension	64mm(W) x 54mm(H) x 129mm(L)		

(*) Must use regulated & specified power supply.